

**Safety Regulation Group**



**CAP 643**

**British Civil Airworthiness Requirements**

**Section T Light Gyroplanes**

---

**[www.caa.co.uk](http://www.caa.co.uk)**

# **CAP 643**

## **British Civil Airworthiness Requirements**

### **Section T Light Gyroplanes**

#### **Issue 2**

© Civil Aviation Authority 2003

ISBN 0 86039 937 0

Amendment No. 1 to Issue 1, August 2001

Issue 2, 15 August 2003 No technical changes, document has been restructured

Enquiries regarding the content of this publication should be addressed to:  
Requirements & Policy Unit, Safety Regulation Group, Civil Aviation Authority, Aviation House, Gatwick  
Airport South, West Sussex, RH6 0YR.

The latest version of this document is available in electronic format at [www.caa.co.uk](http://www.caa.co.uk), where you may also register for e-mail notification of amendments.

Printed copies and amendment services are available from: Documedia Solutions Ltd., 37 Windsor  
Street, Cheltenham, Glos., GL52 2DG.

---

## List of Effective Pages

Section	Page	Date	Section	Page	Date
	iii	Revised 15 August 2003	Part 2	Sub-Section C 2	Revised 31 August 2001
	iv	Revised 15 August 2003	Part 2	Sub-Section D 1	Revised 31 August 2001
	v	Revised 15 August 2003	Part 2	Sub-Section D 2	Revised 31 August 2001
	vi	Revised 15 August 2003	Part 2	Sub-Section E 1	Revised 31 August 2001
	vii	Revised 15 August 2003	Part 2	Sub-Section E 2	Revised 31 August 2001
	viii	Revised 15 August 2003	Part 2	Sub-Section F 1	Revised 31 August 2001
	ix	Revised 15 August 2003	Part 2	Sub-Section F 2	29 March 1995
	x	29 March 1995	Part G	Sub-Section G 1	29 March 1995
Part 1	Sub-Section A 1	29 March 1995	Part G	Sub-Section G 2	29 March 1995
Part 1	Sub-Section B 1	Revised 31 August 2001	Part 2	Sub-Section J 1	29 March 1995
Part 1	Sub-Section B 2	29 March 1995			
Part 1	Sub-Section B 3	Revised 31 August 2001			
Part 1	Sub-Section B 4	Revised 31 August 2001			
Part 1	Sub-Section B 5	Revised 31 August 2001			
Part 1	Sub-Section B 6	Revised 31 August 2001			
Part 1	Sub-Section C 1	29 March 1995			
Part 1	Sub-Section C 2	Revised 31 August 2001			
Part 1	Sub-Section C 3	29 March 1995			
Part 1	Sub-Section C 4	Revised 31 August 2001			
Part 1	Sub-Section C 5	Revised 31 August 2001			
Part 1	Sub-Section C 6	29 March 1995			
Part 1	Sub-Section D 1	Revised 31 August 2001			
Part 1	Sub-Section D 2	Revised 31 August 2001			
Part 1	Sub-Section D 3	29 March 1995			
Part 1	Sub-Section D 4	Revised 31 August 2001			
Part 1	Sub-Section D 5	29 March 1995			
Part 1	Sub-Section D 6	29 March 1995			
Part 1	Sub-Section D 7	Revised 31 August 2001			
Part 1	Sub-Section E 1	Revised 31 August 2001			
Part 1	Sub-Section E 2	29 March 1995			
Part 1	Sub-Section E 3	Revised 31 August 2001			
Part 1	Sub-Section E 4	Revised 31 August 2001			
Part 1	Sub-Section E 5	29 March 1995			
Part 1	Sub-Section E 6	29 March 1995			
Part 1	Sub-Section E 7	29 March 1995			
Part 1	Sub-Section F 1	Revised 31 August 2001			
Part 1	Sub-Section F 2	Revised 31 August 2001			
Part 1	Sub-Section G 1	29 March 1995			
Part 1	Sub-Section G 2	29 March 1995			
Part 1	Sub-Section G 3	29 March 1995			
Part 1	Sub-Section G 4	29 March 1995			
Part 1	Sub-Section J 1	29 March 1995			
Part 2	Sub-Section A 1	29 March 1995			
Part 2	Sub-Section B 1	Revised 31 August 2001			
Part 2	Sub-Section B 2	29 March 1995			
Part 2	Sub-Section C 1	Revised 31 August 2001			

# Contents

<b>List of Effective Pages</b>	iii
<b>Amendment Record</b>	vii
<b>Foreword</b>	viii
<b>Preambles</b>	x
<b>Abbreviations and Definitions</b>	xi
<b>Part 1 Requirements</b>	
<b>Sub-Section A General</b>	
<b>Sub-Section B Flight</b>	
General	1
Performance	2
Controllability and Manoeuvrability	3
Stability	4
Ground Handling Characteristics	6
Miscellaneous Flight Requirements	6
<b>Sub-Section C Structure</b>	
General	1
Flight Loads	2
Control Surfaces and System Loads	3
Stabilizing and Control Surfaces	3
Ground Loads	4
Main Component Requirements	4
Emergency Landing Conditions	5
Fatigue Evaluation	5
Other Loads	6
<b>Sub-Section D Design and Construction</b>	
Control Surfaces and Rotors	3
Control Systems	4

Cockpit Design	6
<b>Sub-Section E Powerplant</b>	
General	1
Fuel System	2
Oil System	4
Cooling	5
Induction System	5
Exhaust System	5
Powerplant Controls and Accessories	6
<b>Sub-Section F Equipment</b>	
General	1
Instruments: Installation	1
Electrical Systems and Equipment	2
Miscellaneous Equipment	2
<b>Sub-Section G Operating Limitations and Information</b>	
Markings and Placards	1
Pilot's Handbook	3
<b>Sub-Section J Propellers</b>	
Design and Construction	1
<b>Part 2 Acceptable Means of Compliance and Interpretative Material (AMC)</b>	
<b>Sub-Section A General</b>	
<b>Sub-Section B Flight</b>	
<b>Sub-Section C Structure</b>	
<b>Sub-Section D Design and Construction</b>	
<b>Sub-Section E Powerplant</b>	
<b>Sub-Section F Equipment</b>	
<b>Sub-Section G Operating Limitations and Information</b>	
<b>Sub-Section J Propellers</b>	



# Foreword

## 1 General

- 1.1 British Civil Airworthiness Requirements (hereinafter referred to as the 'Requirements') of which Section T is a constituent part, are published by the Civil Aviation Authority (hereinafter referred to as the 'CAA'). They comprise minimum requirements and constitute the basis for the issue of Certificates, Permits and Approvals in accordance with the Air Navigation Order.
- 1.2 This BCAR Section T for Light Gyroplanes has been based on BCAR Section S, which is applicable to microlight aeroplanes, suitably amended to cover gyroplanes, and is intended to reflect a similar level of airworthiness. Where appropriate, rotorcraft requirements have been included which align with FAR/JAR-27.
- 1.3 Gyroplanes which have been shown to comply with BCAR Section T will only be eligible for a Permit to Fly.

## 2 Recognition

Recognition will be accorded to light gyroplanes designed, manufactured and tested in accordance with technical standards or regulations of other signatory states to the European Economic Area (EEA) agreement, which ensure an equivalent level of safety. The results of checks and tests carried out by suitably qualified and approved bodies and laboratories of other EEA states, including in particular those conforming with EN 45000, will be taken into consideration where such results provide a level of accuracy, fitness and suitability for purpose equivalent to the results of tests carried out in the United Kingdom and where such bodies and laboratories offer a suitable and satisfactory guarantee of technical and professional competence and understanding.

## 3 Interpretation

- 3.1 These requirements, with or without explanatory material, should not be regarded as constituting a textbook of current aeronautical knowledge; interpretation of the requirements against a background of such knowledge is essential.
- 3.2 Where necessary, the mandatory requirements have been supplemented by interpretative material, which give acceptable interpretation of requirements, state recommended practices or give supplementary information.
- 3.3 Mandatory clauses are invariably denoted by the use of 'shall' or 'must', 'should' or 'may' are used in the text to indicate permissive or recommended clauses.
- 3.4 It is implicit in requirements expressed qualitatively (e.g. 'readily visible', 'adequately tested') that the CAA will adjudicate in cases where doubt exists.

## 4 Presentation

### 4.1 Arrangement of Requirements

[This BCAR Section T is divided into 2 Parts, 1 and 2. Part 1 is further divided into 7 Sub-Sections and Section 2 is Acceptable Means of Compliance (AMC). Where there

is AMC material that relates to the whole paragraph, reference to it will appear after the main paragraph title. If there is AMC material that only relates to a certain sub-paragraph/s reference to it will appear after the affected paragraphs.]

#### 4.2 **Editorial**

As far as possible, BCAR Section T paragraphs carry the same number as the equivalent paragraph in FAR/JAR-27, or FAR/JAR-23, whichever is applicable.

#### 4.3 **S.I. units**

S.I. units have been used in these requirements.

**NOTE:** Strict observance of the S.I. system is not compatible with current aeronautical practice, in which performance data are scheduled. Consequently, some variations from S.I. units will be found in Section B.

### **5 Amendment and Issue**

5.1 The printed version of the Section, which is identified by an Issue No. and date will be deemed to be amended by each BCAR Amendment, appropriate to the Section, which is issued subsequent to the date of issue of the printed version.

5.2 A suitable announcement will be made in the aeronautical press whenever BCAR Amendments are consolidated into the printed version of the Section.

5.3 Material differences from the previous issue of each page are indicated with bold square brackets.

5.4 The issue or revision date is indicated at the foot of each page. The significance of the wording is as follows:

a) Revised (Date) - Revisions, indicated by **[bold square brackets]**, have been introduced at the revision date.

b) Reissued (Date) - The text on the page has not changed from the previous issue or amendment, but the page has been reissued because of movement of text on the page or an amendment to text on the reverse page.

### **6 Effective Date**

New requirements and amendments promulgated in BCAR Amendments are effective from the date printed on them. Thus for any application made on or after the date of issue of a printed version of the Section, the effective requirements will be made up of those in the printed version of the Section together with those in any appropriate BCAR Amendments which are current at the time the application is made.

### **7 Application and Enquiries**

Applications for further copies of this Section should be addressed to Documedia Solutions Ltd, 37 Windsor Street, Cheltenham, Glos. GL52 2DG. Applications for permission to reproduce any part of the requirements and any enquiries regarding their technical content should be addressed to the Civil Aviation Authority, Safety Regulation Group, Aviation House, Gatwick Airport, West Sussex RH6 0YR.

## Preambles

### Section T

29 March 1995

BCAR Section T is the basis for the issue of Permits to Fly for new types of light gyroplane, application for approval of which is received after the above date. The basis for the issue of Certificates of Airworthiness for small rotorcraft will continue to be JAR-27.

Issue 1 of BCAR Section T presents the technical intent of BCAR Paper T860, and is made effective upon acceptance of the advice of the Airworthiness Requirements Board.

#### Amendment 1

31 August 2001

Amendment 1, dated 31 August 2001, of Issue 1 of BCAR Section T incorporates Working Draft Paper T897 into the text.

This regulation was notified in draft to the European Commission in accordance with Directive 98/34/EC (formerly 83/189/EEC 19834 O.J. L109/8), (as amended).

#### [Amendment 2

15 August 2003

Issue 2 contains **no new technical changes** from those incorporated in the amendment to issue 1. The publication has however been restructured to mirror the layout of Joint Aviation Requirements (JAR) codes and European Aviation Safety Agency (EASA) Certification Specifications. Marginal lines have been replaced with bold square brackets. The AMC material has been moved to a separate section and references to any AMC material inserted against the relevant paragraph/s. The pages have been re-dated to show the applicability date of any technical material contained in them.]

## Abbreviations and Definitions

Fire proof	Capable of withstanding for a period of at least 15 minutes the application of heat by the standard flame.
Fire resistant	Capable of withstanding for a period of at least 5 minutes the application of heat by the standard flame.
Primary Structure	Those parts of the structure, the failure of which would endanger the gyroplane.
Standard flame	A flame with the characteristics which are similar to those described in BS3G.100 part 2 Section 3-13.
EAS Equivalent	Equivalent air speed.  True airspeed $\times (\frac{\rho}{\rho_0})^{1/2}$ where $\rho$ is the air density and $\rho_0$ is the air density in standard sea level conditions.
IAS	Indicated air speed.  The readings of the pitot-static airspeed indicator as installed in the rotorcraft, corrected only for instrument error.
$V_D$	The Maximum Design Speed, EAS.
$V_{DF}$	The Maximum Demonstrated Flight Speed, EAS. This must not exceed $V_D$ .
$V_{NE}$	The Never Exceed Speed IAS. This must not exceed $0.9 V_{DF}$ .
$V_Y$	Best rate of Climb Speed, IAS.
$V_{MIN}$	Minimum Level Flight Speed, IAS.
$V_H$	Maximum speed in level flight with the engine at maximum continuous power, IAS.
$C_N$	Aerodynamic normal force coefficient.
$V_{FR}$	Visual Flight Rules.

# Part 1 Requirements

## Sub-Section A General

### T 2 **Applicability**

a) This Section T states requirements applicable to gyroplanes having:

- 1) not more than two occupants;
- 2) a maximum all-up (take off) weight not exceeding 600 kg; and
- 3) restricted to day VFR conditions.

For the purpose of UK airworthiness requirements, such gyroplanes are referred to as 'light' gyroplanes.

b) A gyroplane is defined as a rotorcraft with a non-power-driven rotor rotating about an axis which is vertical or nearly so, when the aircraft is in horizontal flight.

c) These requirements apply to light gyroplanes of orthodox design. Aircraft having the following basic features will be so regarded:

- 1) Single teetering two-bladed rotor of fixed pitch,
- 2) Single normally-aspirated reciprocating engine and fixed pitch or ground-adjustable propeller, and
- 3) One nose wheel and/or tail wheel, and non-retractable two-main-wheel undercarriage. (See AMC T 2 c.)

d) If an aerodynamic pitch control system, (other than by the rotor), which is operable in flight is fitted, then the gyroplane will not be considered to be of orthodox design. (See AMC T 2 d.)

e) Where it can be shown that a particular feature is similar in all significant respects to one which is part of a previously accepted design, and can be considered as a separate entity in terms of its function, the CAA will take this into account when assessing the acceptability of the feature, and it may then not be necessary to test or otherwise substantiate to the level set out in the appropriate requirement.

f) Where these requirements are inappropriate to particular design and construction features, it will be necessary to reconsider the validity of the requirements for each particular case and the CAA must be consulted as to the applicable requirements.

g) Permitted Operations.

These requirements apply to light gyroplanes designed for non-aerobatic operation. (See AMC T 2 g.)

## Sub-Section B Flight

### General

T 21 **Proof of compliance** (See AMC T 21).

- a) Unless a combination of weight and centre of gravity (c.g.) is specified, each requirement of this Sub-Section must be met by test upon a gyroplane of the type for which a Permit to Fly is requested, at the most adverse combination of weight and c.g. within the range of loading conditions within which the gyroplane will be operated.
- b) Compliance must be established for all configurations at which the gyroplane will be operated, except as otherwise stated.

**NOTE:** Flight tests may also be required to show compliance with requirements of other Sub-Sections of BCAR Section T.

T 23 **Load distribution limits** (See AMC T 23).

- a) The ranges of weight and c.g. within which the gyroplane is to be safely operated must be selected by the applicant.
- b) The c.g. range must not be less than that which corresponds to the weight of each occupant, varying between a minimum of 55 kg weight for a pilot alone up to the maximum placarded weight for a pilot and passenger, together with a variation in fuel contents from zero to full fuel. The placarded maximum weight must be not less than 90 kg per person.

T 25 **Weight limits**

**Maximum weight.** The maximum weight must be established so that it is:

- a) Not more than:
  - 1) the highest weight selected by the applicant;
  - 2) the design maximum weight, which is the highest weight at which compliance with each applicable structural loading condition and each applicable flight requirement is shown.
- b) Not less than the weight which results from the empty weight of the gyroplane, plus a weight of occupant(s) of 90 kg for a single-seat gyroplane or 180 kg for a two-seat gyroplane, plus the required minimum equipment, plus full fuel.

T 29 **Empty weight and corresponding c.g.**

- a) The empty weight and corresponding c.g. must be determined by weighing [each] gyroplane:
  - 1) with:
    - i) fixed ballast;
    - ii) required minimum equipment;
    - iii) unusable fuel, maximum oil and, where appropriate, engine coolant and hydraulic fluid;
  - 2) excluding the weight of the occupant(s).

[ ]

- b) The condition of the gyroplane at the time of determining empty weight must be one that is well defined and easily repeated.

T 31 **Removable ballast**

Removable ballast may be used in showing compliance with the flight requirements of this Sub-Section.

T 33 **Rotor speed limits**

- a) A range of rotor speed limits must be established which permits any expected manoeuvre to be performed safely over the ranges of airspeed, all up weight and altitude within which it is intended that the gyroplane shall be operated.
- b) At the critical combinations of weight, altitude and airspeed for any permitted manoeuvre the rotor speed must remain within the established safe range.

## **Performance**

T 45 **General**

The performance prescribed in this Sub-Section B must be determined:

- a) with normal piloting skill under average conditions;
- b) for still air at sea level in the standard atmosphere;
- c) at the most critical weight;
- d) with the most unfavourable centre of gravity for each condition; and
- e) using engine power not in excess of the maximum declared for the engine type, and without exceeding powerplant and propeller limitations established under T 1521.

T 51 **Take off** (See AMC T51).

The distance(s) required from rest, to take off and climb to 15 m above the take off surface, with zero wind, must be determined using flight technique(s) selected by the Applicant.

T 65 **Climb**

The time for climb from leaving the ground up to 1000 ft above the field must be determined and when corrected to the international standard day conditions at sea level, must not exceed four minutes with not more than take off power and without exceeding temperature limits established under T 1041.

T 71 **Glide**

The minimum rate of descent and the associated airspeed must be determined at the maximum all-up weight and with the power off.

T 73 **Minimum speed for level flight**

The minimum speed for level flight at maximum take off power must be determined.

T 75 **Landing distance**

The distance required to land and come to rest from a point 15 m above the landing surface, with zero wind, must be determined. An approach speed must be specified.

**T 79 High-speed envelope**

If there are any combinations of height and forward speed, in excess of  $V_{MIN}$ , from which a safe landing cannot be made following engine failure, a limiting height-speed envelope must be established.

**Controllability and Manoeuvrability****T 143 General**

- a) The gyroplane must be safely controllable and manoeuvrable with sufficient margin of control movement and blade freedom to correct for atmospheric turbulence and to permit control of the attitude of the gyroplane at all power settings at the critical weight and c.g., at sea level and at the maximum altitude at which the gyroplane will be operated:
- 1) during steady flight at speeds up to  $V_{DF}$ ;
  - 2) during speed changes;
  - 3) during changes of engine power, (including sudden loss of engine power) and;
  - 4) during any manoeuvre appropriate to the type, including:
    - i) take off;
    - ii) climb;
    - iii) turning flight;
    - iv) descent (power-on and-off) including vertical and spiral descents;
    - v) landing (power-on and-off);
    - vi) recovery to power-on flight from a balked approach; and
    - vii) during dynamic manoeuvres including steep turns, straight pull-outs, and roll reversals. (See AMC T 143 a.)
- b) It must be possible to maintain any required flight condition and make a smooth transition from one flight condition to another (including turns and slips) [with no more than average] piloting skill, alertness or strength, and without danger of exceeding the limit manoeuvring load-factor, under any operating condition probable for the type, with the engine running at all possible associated power settings within the allowable range, including the effect of power changes and sudden engine failure.

Likely variations from any recommended techniques must not cause unsafe flight conditions.

- c) Any unusual flying characteristics observed during the flight tests required to determine compliance with the flight requirements must be investigated.
- d) 1) The controls must not exhibit excessive breakout force, friction or free play.  
2) There must be no overbalance of the yawing, pitching and rolling controls.
- e) A technique must be established, and demonstrated, for landing the gyroplane at maximum all-up weight, with the engine stopped, without hazard to the occupants.
- f) The gyroplane shall not exhibit any serious tendency to enter a Pilot-Induced Oscillation (PIO) at all power settings at the critical weight and c.g., at sea level and at the maximum altitude at which the gyroplane will be operated:

- 1) during steady flight at speeds up to  $V_{DF}$ ;
- 2) during speed changes;
- 3) during changes of engine power, (including sudden loss of engine power); and
- 4) during any manoeuvre appropriate to the type, including:
  - i) take off;
  - ii) climb;
  - iii) turning flight;
  - iv) descent (power-on and-off) including vertical and spiral descents;
  - v) landing (power-on and-off);
  - vi) recovery to power-on flight from a bailed approach; and
  - vii) during dynamic manoeuvres including steep turns, straight pull-outs, and roll reversals.

**T 145 Longitudinal lateral and directional control**

- a) It must be possible at any speed below  $1.3 V_{MIN}$  to pitch nose downwards so that a speed equal to  $1.3 V_{MIN}$  can be reached promptly. This must be shown at all possible configurations and engine powers when trimmed at  $1.3 V_{MIN}$  (where trim control is fitted).
- b) It must be possible to raise the nose at  $V_{DF}$  at all permitted c.g. positions and engine powers.
- c) If marginal conditions exist with regard to pilot effort, the control forces must be assessed by quantitative tests, with the engine running at all allowable powers. (See AMC T 145 c.)
- d) The maximum wind speed, maximum cross wind and maximum tail wind (if applicable), must be established in which the gyroplane can be operated, without the loss of control, on or near the ground in any manoeuvre appropriate to the type (such as cross wind takeoff), with:
  - 1) critical weight; and
  - 2) critical centre of gravity.

These wind velocities must be specified in the Pilot's Handbook.

**T 155 Pitch control force in manoeuvres**

The pitch control forces during turns, or when recovering from manoeuvres, must be such that at constant speed an increase in load factor is associated with an increase in control force. The minimum value of this force to apply limit load on the structure must not be less than a value to be agreed with the [CAA], at all speeds at which the required normal acceleration can be achieved.

## **Stability**

**T 171 General**

- a) The gyroplane must be able to be flown without undue piloting skill, alertness or strength in any normal manoeuvre for a period of time as long as that expected in normal operation.

- b) There must be no tendency for the gyroplane rapidly to increase the turn rate [ ] during a turn with normal accelerations of up to 1.5 g at all allowable power settings.
- c) [There must be no tendency for the gyroplane to pitch up during a turn, with normal accelerations of up to 1.5 g, at all allowable power settings.]

**T 173 Static longitudinal stability**

- a) Under the conditions and throughout the speed range specified in T 175 the slope of the curve, control force versus speed, must be zero or stable.
- b) Where a variable aircraft pitch trim system is provided for use in flight, the gyroplane shall be trimmed at the datum conditions specified in T 175. Where such a pitch trim system is not provided, the stability characteristics must be assessed by the change of control force with speed compared to the control force at the datum condition. In all cases, the stability characteristics shall be assessed over changes of speed of approximately  $\pm 15\%$  from the datum speed.

**T 175 Demonstration of static longitudinal stability**

The control force Vs speed curve must have a zero or table slope in the following conditions:

- a) Climb at:
  - 1) the best climb speed,  $V_Y$ ; and
  - 2) maximum continuous power.
- b) Cruise at:
  - 1) the best climb speed,  $V_Y$ , and at the lower of  $V_{NE}$  or  $V_H$ ; and
  - 2) power for level flight.
- c) Descent at:
  - 1) the minimum rate of descent speed (see T 71); and
  - 2) power off.
- d) Approach at:
  - 1) the recommended approach speed; and
  - 2) approach power.

**T 177 Lateral and directional stability**

- a) Following an initial yaw disturbance, with the yaw controls fixed or free and other controls held fixed, the gyroplane shall tend to correct automatically for moderate disturbance in yaw.
- b) The directional and lateral stability shall be sufficient to prevent dangerous flight conditions following abrupt pedal displacements.
- c) In a sideslip, any control force must increase progressively with sideslip; the gradient need not be linear but must not reverse. Sufficient cues must accompany sideslip to alert the pilot when approaching sideslip limits.
- d) The characteristics detailed in T 177a) to c) shall be met under the following conditions:
  - 1) In the climb, at maximum continuous power, at  $V_Y$ .
  - 2) In level flight at:

- i) the best climb speed  $V_Y$ , and
  - ii) the lower of  $V_{NE}$  or  $V_H$ .
- 3) At the minimum rate of descent speed (see T 71) with and without the engine operating, and
  - 4) At the recommended approach speed.

T 181 **Dynamic stability** (See AMC T 181).

- a) Any short period oscillations occurring under any permissible flight condition must be heavily damped with the primary controls fixed or free.
- b) The gyroplane, under smooth air conditions, must exhibit no dangerous behaviour at any speed between the speed for best rate of climb and  $V_{NE}$ , when all controls are fixed or free for a period of 5 seconds.

### Ground Handling Characteristics

T 231 **Directional stability and control**

- a) The gyroplane must have satisfactory ground handling characteristics, including freedom from uncontrolled tendencies in any condition expected in operation, particularly in all take off conditions.
- b) [The ability to take off and land safely in crosswinds shall be investigated. Based on the results of these tests, advice on operation in crosswinds shall be given in the Pilot's Handbook.]

T 235 **Taxying condition** (See AMC T 235 a.)

- a) The gyroplane must be safely controllable and manoeuvrable when it is taxied over the roughest ground that may reasonably be expected in normal operation.
- b) The ground speeds up to which it is safe to taxi, take off and touch down must be determined.

T 241 **Ground resonance** (See AMC T 241).

The gyroplane must have no dangerous tendency to oscillate on the ground with the rotor turning. This must be shown for all intended combinations of rotor speed and gyroplane forward speed on the ground, including use of any rotor spin-up system.

### Miscellaneous Flight Requirements

T 251 **Vibration**

Each part of the gyroplane must be free from excessive vibration under each appropriate speed and power condition, throughout the flight envelope at speeds up to  $V_{DF}$ .

## Sub-Section C Structure

### General

#### T 301 Loads

- a) Strength requirements are specified in terms of limit loads (the maximum loads to be expected in service) and ultimate loads (limit loads multiplied by prescribed factors of safety). Unless otherwise provided, prescribed loads are limit loads.
- b) Unless otherwise provided, the air and ground loads must be placed in equilibrium with inertia loads, considering each major item of mass in the gyroplane. These loads must be distributed so as to represent actual conditions or a conservative approximation to them.
- c) If deflections under load would significantly change the distribution of external or internal loads, this redistribution must be taken into account.

#### T 303 Factor of safety

Unless otherwise provided, a factor of safety of 1.5 must be used.

#### T 305 Strength and deformation

- a) The structure and control systems must be able to support limit loads without permanent deformation. At any load up to limit loads, the deformation must not interfere with safe operation.
- b) The structure must be able to support ultimate loads without failure for at least three seconds. However, when proof of strength is shown by dynamic tests simulating actual load conditions, the three second limit does not apply.

#### T 307 Proof of structure

- a) Compliance with the strength and deformation requirements of T 305 must be shown for each critical load condition. Theoretical structural analysis may be used only if the structure conforms to those for which experience has shown this method to be reliable. In other cases, substantiating load tests must be made. (See AMC T 307 a.)
- b) Certain parts of the structure must be tested as specified in Sub-Section D.

**NOTE:** Structural standards contained in Sub-Section C do not constitute all the structural requirements necessary to show compliance.

#### T 309 Design conditions

The following values and limitations must be established and compliance with the structural requirements of this Sub-Section must be shown for all allowable combinations of:

- a) the design maximum weight.
- b) the rotor rpm range.
- c) forward speeds up to  $V_D$ .
- d) the centre of gravity limitations.
- e) the positive and negative limit manoeuvring load factors.

## Flight Loads

### T 321 General

- a) Flight load factors represent the ratio of the aerodynamic force component (acting normal to the flight path of the gyroplane) to the weight of the gyroplane. A positive flight load factor is one in which the aerodynamic force acts upward, with respect to the gyroplane.
- b) Compliance with the flight load requirements must be shown at each practicable combination of weight and disposable load.
- c) Aerodynamic data required for the establishment of the load conditions must be verified by tests, calculations or by conservative estimation.

### T 337 Limit manoeuvring load factor (See AMC T 337).

The gyroplane's rotor must be designed for a positive limit manoeuvring load factor of +3.5, at all forward speeds from zero to the Maximum Design Speed  $V_D$ .

The rest of the gyroplane must be designed for positive and negative limit manoeuvring load factors of +3.5 and -0.5 respectively, at all forward speeds from zero to the Maximum Design Speed  $V_D$ .

### T 339 Resultant limit manoeuvring loads

The loads resulting from the application of limit manoeuvring load factors are assumed to act at the centre of the rotor hub and to act in directions so as to represent each critical manoeuvring condition.

### T 351 Yawing conditions

The gyroplane must be designed for yawing loads on the vertical tail surface specified in T 413.

### T 361 Engine torque

- a) The engine mount and its supporting structure must be designed for the effects of:
  - 1) the limit torque corresponding to take off power and propeller speed, acting simultaneously with 75% of the limit loads of T 337, and
  - 2) the limit torque corresponding to the maximum continuous power and propeller speed, acting simultaneously with the limit loads of T 337.
- b) For conventional reciprocating engines with positive drive to the propeller, the limit torque to be accounted for in T 361a) and T 547d) is obtained by multiplying the mean torque by the appropriate factor from the following table:

Engine	Two stroke			Four stroke				
	1	2	3 or more	1	2	3	4	5 or more
Factor	6	3	2	8	4	3	2	1.33

**NOTE:** 'Positive drive' includes direct drive, gear drive or toothed belt; for other drives (e.g. centrifugal clutch) and unconventional engines, the appropriate factor must be agreed with the [CAA].

**T 363 Side load on engine mount**

- a) The engine mount and its supporting structure must be designed for a limit load factor in a lateral direction, for the side load on the engine mount, of not less than one third of the limit load factor of T 337.
- b) The side load prescribed in a) may be assumed to be independent of other flight conditions.

**Control Surfaces and System Loads****T 395 Primary control system**

- a) The part of each control system from the pilot's controls to the control stops must be designed to withstand pilot forces of not less than the forces specified in T 397.
- b) The part of each control system from the control stops to the attachment to the rotor hub (or control areas) must be designed to at least:
  - 1) withstand the maximum pilot forces obtainable in normal operation; and
  - 2) if operational loads may be exceeded through jamming, ground gusts, control inertia, or friction, support without yielding 0.60 times the limit pilot forces specified in T 397.
  - 3) for yaw control, the load corresponding to the control surface load specified in T 413.

**T 397 Limit pilot forces**

**For primary flight controls.** The limit pilot forces are as follows:

- a) For foot controls, 580 N.
- b) For stick controls, 445 N fore and aft, and 300 N laterally.

**T 399 Dual control systems**

Dual control systems must be designed to withstand the loads that result when each pilot applies 0.75 times the load specified in T 397, with

- a) the pilots acting together in the same direction; and
- b) the pilots acting in opposition.

**T 405 Secondary control systems** (See AMC T 405).

Secondary control systems such as those for brakes, trim controls etc., must be designed for supporting the maximum forces that a pilot is likely to apply to those controls.

**Stabilizing and Control Surfaces****T 413 Control surface loads**

- a) Each stabilizing and control surface (other than the rotor blades), and its supporting structure, must be designed so that:

limit loads are not less than the greater of:

  - 1)  $720 \text{ N/m}^2$  (evenly distributed over the control surface); or
  - 2) the aerodynamic load resulting where the normal force coefficient  $C_N$  equals 1.5 at the maximum design speed.

- b) Compliance with paragraph a) of this section must be shown with realistic or conservative load distributions with allowance for any relative slipstream effects.

## Ground Loads

### T 471 **General**

The limit ground loads specified in this Sub-Section are considered to be external loads and inertia forces that act upon a gyroplane structure. In each specified landing condition, the external reactions must be placed in equilibrium by the linear and angular inertia forces in a rational or conservative manner.

### T 473 **Landing gear – shock absorption** (See AMC T 473).

- a) It shall be determined that the landing gear is capable of absorbing the energy which would result from the gyroplane being dropped at its maximum permitted take off weight from a height of 0.33 m [without either the shock absorber or tyre bottoming.]
- b) Compliance must be established for pitch attitudes representing:
- 1) the level attitude with main and nose or tail wheels (if appropriate) in contact with the ground.
  - 2) the level attitude with main wheels in contact with the ground and nose or tail wheels just clear of the ground.
  - 3) the tail-down attitude with, for nose wheel configurations, the tail structure just clear of the ground, or for tail wheel configurations, the tail wheel in contact with the ground and the main wheels just clear of the ground.
- c) It shall be determined that the nose gear can absorb energy from the front equivalent to 100% of the energy that the nose gear is required to absorb vertically by T 473 b) 2).

## Main Component Requirements

### T 547 **Rotor structure**

- a) Each rotor assembly (including the rotor hubs and blades) must be designed as prescribed in this section.
- b) The rotor structure must be designed to withstand the critical flight loads prescribed in T 337 and T 339.
- c) The rotor structure must be designed to withstand loads simulating for the rotor blades, and hubs, the impact force of each blade against its teetering stops during ground operation. (See AMC T 547 c.)
- d) The rotor structure must be designed to withstand the maximum limit torque likely to be transmitted by any rotor spin-up device or rotor brake at all speeds from zero to the maximum at which the device is designed to be engaged. This limit torque must be distributed to the rotor blades in a rational manner. Account must be taken of the factors prescribed in T 361 b).

### T 549 **Fuselage, landing gear and rotor pylon structures**

- a) Each fuselage, landing gear and rotor pylon structure must be designed as prescribed in this section. Resultant rotor forces may be represented as a single force applied at the rotor hub attachment point.

- b) Each structure must be designed to withstand:
  - 1) the critical loads prescribed in T 337 and T 339.
  - 2) the applicable ground loads prescribed in T 471 and T 473, and
  - 3) the loads prescribed in T 547 c) and d).
- c) Each engine mount and adjacent fuselage structure must be designed to withstand the loads occurring under flight and landing conditions, including powerplant torque and gyroscopic movements. (See AMC T 549 c.)

## Emergency Landing Conditions

### T 561 General

- a) The gyroplane, although it may be damaged in emergency landing conditions, must be designed as prescribed in this paragraph to protect each occupant under those conditions.
- b) The structure must be designed to give each occupant every reasonable chance of escaping serious injury in a crash landing when proper use is made of belts and harnesses provided for in the design, in the following conditions:

Each occupant experiences ultimate inertial forces corresponding to the following load factors:

Direction	Load Factor
Upward	4.5
Forward	9.0
Sideward	3.0
Downward	4.5

These forces are independent of each other and are relative to the surrounding structure.

- c) The supporting structure must be designed to restrain, under loads up to those specified in sub-paragraph b) of this paragraph, each item of mass that could injure an occupant if it came loose in a minor crash landing.
- d) [Where failure of all or part of the engine mounting structure could result in an engine following a trajectory that could pass through any part of the normal crew accommodation or fuel tanks, the attachment structure must be designed to withstand an ultimate inertia force corresponding to an acceleration of 15g in that direction. (See AMC T 561 d).]
- e) Fuel tanks, fuel lines, oil tanks and oil lines must be capable of retaining their contents under the inertial forces of b) without rupture.

## Fatigue Evaluation

### T 571 Fatigue strength

- a) The detail design [ ] of the gyroplane shall be such that, as far as reasonably practicable, features that cause high stresses are avoided, unless it can be shown

that features of a similar design have accumulated considerable satisfactory service experience in a similar application.

- b) With the exception of the rotor hub spindle, bolts or threaded parts shall not be used in the construction of the rotor hub or blades in any application where they are subject to an alternating tensile stress, (unless it can be shown that parts of a similar design, specification and use have had considerable satisfactory service experience).
- c) The rotor hub spindle, together with its associated nuts, washers and bearing surfaces, shall have an ultimate reserve factor in excess of 10.
- d) Materials known to have poor crack propagation properties shall not be used in any part of the primary structure.
- e) All parts of the primary structure shall be easily accessible for inspection.
- f) Flexible paints or coatings shall not be used on the external surfaces of the primary structure.

### **Other Loads**

#### **T 597 Loads from single masses** (See AMC T 597).

The attachment means for all single masses, which are part of the equipment of the gyroplane, including ballast, must be designed to withstand loads corresponding to the maximum design load factors to be expected from the established flight and ground loads, including the emergency landing conditions of T 561.

## Sub-Section D Design and Construction

### T 601 **General**

The strength of any part having an important bearing on safety and which is not amenable to simple analysis must be established by test.

### T 603 **Materials**

The suitability and durability of materials used for parts, the failure of which could adversely affect safety, must

- a) be established by experience or tests; and
- b) meet specifications that ensure their having the strength and other properties assumed in the design data. (See AMC T 603 b.)

### T 605 **Fabrication methods**

The methods of fabrication used must produce consistently sound structures which must be reliable with respect to maintaining the original strength under reasonable service conditions. If a fabrication process (such as glueing, spot welding, heat treating, or processing of non-metallic materials) requires close control to reach this objective, the process must be performed under a defined process specification. Unconventional methods of fabrication must be substantiated by adequate tests.

### T 607 **Locking of connections**

An acceptable means of locking must be provided on all connecting elements in the primary structure and in control and other mechanical systems which are essential to safe operation of the gyroplane. In particular self-locking nuts must not be used on any bolt subject to rotation in operation, unless a non friction locking device is used in addition to the self-locking device.

### T 609 **Protection of structure**

Each part of the structure must:

- a) be suitably protected against deterioration or loss of strength in service due to any cause, including:
  - 1) weathering;
  - 2) corrosion;
  - 3) abrasion; and
- b) have adequate provisions for ventilation and drainage.

### T 611 **Inspection**

Means must be provided to allow inspection (including inspection of principal static and rotating structural elements and control systems), close examination, repair and replacement of each part requiring periodic inspection, maintenance, adjustments for proper alignment and function, lubrication or servicing.

### T 612 **Provisions for rigging and derigging**

The design must be such that [during rigging and de-rigging by persons having no more than average skills, the probability of damage or permanent deformation, especially when this is not readily visible, is extremely remote. Incorrect assembly must be avoided by proper design provisions.] It must be possible to inspect the gyroplane easily for correct assembly.

**T 613 Material strength properties and design values**

- a) [Material strength properties must be based on enough tests to establish design values on a statistical basis.]
- b) The design values must be chosen so that the probability of any structure being under strength because of material variations is extremely remote. (See AMC T 613 b.)
- c) Where the temperature attained in an essential component or structure in normal operating conditions has a significant effect on strength, that effect must be taken into account. (See AMC T 613 c.)
- d) [Where the material used for primary structure may suffer degradation in strength and/or changes in stiffness due to environmental effects in service, due account shall be taken of these characteristics in the design.]

**T 619 Special factors**

- a) The factor of safety prescribed in T 303 must be multiplied by appropriate combinations of the special factors prescribed in T 619 b), T 621 to T 626, T 657 and T 693. (See AMC T 619 a.)
- b) For each part of the structure not covered by T 621 to T 625 but whose strength is:
  - 1) uncertain;
  - 2) likely to deteriorate in service before normal replacement; or
  - 3) subject to appreciable variability because of uncertainties in manufacturing processes or inspection methods;

The special factor must be chosen so that failure of the part due to inadequate strength is improbable. (AMC T 619 b.)

**T 621 Casting factors**

For castings, the strength of which is substantiated by at least one static test and which are inspected by visual methods, a casting factor of 2.0 must be applied. This factor may be reduced to 1.25 providing the reduction is substantiated by tests on not less than three sample castings and if these and all production castings are subjected to an accepted visual and radiographic inspection or an approved equivalent non-destructive inspection method.

**T 623 Bearing factors**

- a) The factor of safety for bearing loads at bolted or pinned joints must be multiplied by a special factor of 2.0 to provide for:
  - 1) relative motion in operation; and
  - 2) joints with clearance (free fit) subject to pounding and/or vibration.
- b) For control surface hinges and control system joints, compliance with the factors prescribed in T 657 and T 693, respectively, meets sub-paragraph a) of this paragraph.

**T 625 Fitting factors**

For each fitting (a part or terminal used to join one structural member to another), the following apply:

- a) For each fitting whose strength is not proven by limit and ultimate load tests in which actual stress conditions are simulated in the fitting and surrounding structures, a fitting factor of at least 1.15 must be applied to each part of:

- 1) the fitting,
  - 2) the means of attachment; and
  - 3) the bearing on the joined members.
- b) No fitting factor need be used for joint designs based on comprehensive test data (such as continuous joints in metal plating, welded joints, and scarf joints in wood).
- c) For each integral fitting, the part must be treated as a fitting up to the point at which the section properties become typical of the member.
- d) Local attachments in the load path between the safety belt or harness and the main gyroplane structure must be shown by analysis, test, or both, to have at least the strength necessary for 1.33 times the loads corresponding to the emergency alighting inertia loads of T 561.
- e) When using only two hinges at each control surface, the safety factor for these hinges and the attached parts of the primary structure must be multiplied by a factor of 1.5.

T 626 **Cable factor** (See AMC T 626).

An ultimate factor of safety of 2.0 on nominal cable strength must be applied to cables used for structural applications and for all primary control systems.

T 629 **Flutter prevention and structural stiffness**

Each major part of the gyroplane must be free from flutter and resonance under each appropriate speed and power condition, and this must be demonstrated by flight tests at speeds up to  $V_{DF}$ .

## **Control Surfaces and Rotors**

T 653 **Drainage**

- a) For each rotor blade:
- 1) there must be a means for venting the internal pressure of the blade,
  - 2) drainage holes must be provided for the blade, and
  - 3) the blade must be designed to prevent water from becoming trapped in it.
- b) Sub-paragraphs a) 1) and 2) of this paragraph do not apply to sealed blades capable of withstanding the maximum pressure differentials expected in service.

T 655 **Control-surface installations (other than rotor blades)**

Movable control surfaces must be installed so that there is no interference between any surfaces or their bracings, when one surface is held in any position and the others are operated through their full angular movement.

This requirement must be met:

- a) under limit load conditions for all control surfaces through their full angular range; and
- b) under limit load on the gyroplane structure other than the control surfaces.

T 657 **Control-surface hinges (other than rotor blades)**

- a) Control-surface hinges, except ball and roller bearing hinges, must have a factor of safety of not less than 6.67 with respect to the ultimate bearing strength of the softest material used as a bearing.

- b) For ball- or roller-bearing hinges, the approved rating of the bearing must not be exceeded.
- c) Hinges must have enough strength and rigidity for loads parallel to the hinge line.

T 659 **Mass balance**

- a) The spanwise balance of the rotor blades must be such that excessive vibration is prevented. The method of balancing and the tolerance must be agreed with the [CAA].
- b) The chordwise balance of the blades must be at or forward of the 25% chord. The chordwise balance of each blade in a pair must be the same, or within a tolerance to be agreed with the [CAA].
- c) The supporting structure and the attachment of rotor-blade mass-balance weights must have an ultimate reserve factor in excess of 10 when subjected to the combined loads resulting from:
  - 1) accelerations of  $\pm 20$  g in the flap plane of the rotor;
  - 2) accelerations of  $\pm 20$  g in the lag plane of the rotor; and
  - 3) the centrifugal force at the maximum rotor speed.
- d) The supporting structure and the attachment of mass-balance weights used on control surfaces (other than rotor blades) must be designed for:
  - 1) 24 g normal to the plane of the control surface;
  - 2) 12 g fore and aft; and
  - 3) 12 g parallel to the hinge line.

T 661 **Rotor-blade clearance** (See AMC T 661).

There must be enough clearance between the rotor blades and other parts of the structure to prevent the blades from striking any part of the structure, or passing through any area likely to cause injury to occupants during any [permitted] operating condition.

T 665 **Rotor hub bearings**

All rotor-hub bearings must have their suitability established by experience or tests.

## **Control Systems**

T 671 **General**

Each control must operate easily, smoothly and positively enough to allow proper performance of its functions.

T 675 **Stops**

- a) Each control system must have stops that positively limit the range of motion of the pilot's controls.
- b) Each stop must be located so that wear, slackness, or take-up adjustments will not adversely effect the control characteristics of the gyroplane because of a change in the range of travel of the control.
- c) Each stop must be able to withstand any loads corresponding to the design conditions for the control system.

**T 677 Trim system**

If a trim system is fitted which is operable in flight, proper precautions must be taken to prevent inadvertent, improper, or abrupt trim operation.

- a) There must be means near the trim control to indicate to the pilot (when strapped in), the direction of trim control movement relative to the gyroplane.
- b) There must be some means to indicate to the pilot the position of the trim device, with respect to the range of adjustment, during his pre-flight inspection.
- c) If, when the trimmer is set to its extreme positions, the stick force exceeds 20 N on take off, there must be means to indicate to the pilot (when strapped in), the position of the trim device with respect to the range of adjustment. This means must be visible to the pilot and must be located and designed to prevent confusion.

**T 683 Operation tests**

It must be shown by functional tests that the system designed to the loads specified in T 397 is free from:

- a) jamming;
- b) excessive friction; and
- c) excessive deformation;

when operating the controls from the cockpit.

**T 685 Control system details**

- a) Each detail of each control system must be designed and installed to prevent jamming, chafing and interference from baggage, passengers, loose objects, or the freezing of moisture.
- b) There must be means in the cockpit to prevent the entry of foreign objects into places where they would jam the system. (See AMC T 685 b.)
- c) There must be means to prevent the slapping of cables, tubes, or rods against other parts.
- d) Each element of the flight control system must have design features, or must be distinctively and permanently marked, to minimise the possibility of incorrect assembly that could result in malfunctioning of the control system.

**T 687 Spring devices**

The reliability of any spring device used in the control system must be established by tests simulating service conditions unless failure of the spring will not cause flutter or unsafe flight characteristics.

**T 689 Cable systems**

- a) Each cable, cable fitting, turnbuckle, splice, and pulley used must meet stated specifications. In addition:
  - 1) No cable smaller than 2 mm diameter may be used in primary control systems;
  - 2) Each cable system must be designed so that there will be no hazardous change in cable tension throughout the range of travel under operating conditions and temperature variations; and
  - 3) There must be means for visual inspection at each fairlead, pulley, terminal and turnbuckle.
- b) Each kind and size of pulley must correspond to the cable with which it is used. Each pulley must have closely fitted guards to prevent the cables from being misplaced or fouled, even when slack. Each pulley must lie in the plane passing

through the cable so that the cable does not rub against the pulley flange. (See AMC T 689 b.)

- c) Fairleads must be installed so that they do not cause a change in cable direction of more than  $3^\circ$ , except where tests or experience indicate that a higher value would be satisfactory. The radius of curvature of fairleads must not be smaller than the radius of a pulley for the same cable.
- d) Turnbuckles must be attached to parts having angular motion in a manner that will positively prevent binding throughout the range of travel.

#### T 693 **Joints**

Control system joints (in push-pull systems) that are subject to angular motion, except those in ball- and roller-bearing systems, must have a special factor of safety of not less than 3.33 with respect to the ultimate bearing strength of the softest material used as a bearing. This factor may be reduced to 2.0 for joints in cable-control systems. For ball- or roller-bearings, the approved ratings must not be exceeded.

### **Cockpit Design**

#### T 771 **General**

The cockpit and its equipment must allow each pilot to perform his duties without unreasonable concentration or fatigue.

#### T 773 **Cockpit view**

Each cockpit must be designed so that:

- a) the pilot's field of view is sufficiently extensive, clear and undistorted for safe operation; and (See AMC T 773 a.)
- b) if a windscreen is provided, rain does not unduly impair his view along the flight path in normal flight and during landing. (See AMC T 773 b.)
- c) the pilot is easily able to establish a pitch attitude by reference to a fixed point of the airframe, when looking forward.

#### T 775 **Windshields and windows**

Windshields and windows, if fitted, must be constructed of a material that will not break into dangerous fragments or become opaque when damaged.

#### T 777 **Cockpit controls**

- a) Each cockpit control must be located to provide convenient operation, and to prevent confusion and inadvertent operation.
- b) The controls must be located and arranged so that each pilot, when properly secured by his safety harness, has full and unrestricted movement of each control. (See AMC T 777 b.)
- c) In gyroplanes with dual controls, it must be possible to operate all essential controls from each of the two pilots seats.
- d) Secondary controls must maintain any desired position without requiring constant attention by the pilot(s), and must not tend to creep under loads or vibration. Controls must have adequate strength to withstand operating loads without failure or excessive deflection.

**T 785 Seats and safety harnesses**

- a) Each seat and its supporting structure must be designed for an occupant weight [not less than that specified by] T 25 b) and for the maximum load factors corresponding to the specified flight and ground conditions, including the emergency landing condition prescribed in T 561 [b].]
- b) Seats, including cushions, must not deform under flight loads to such an extent that the pilot is unable to reach the controls safely, or that the wrong controls are operated.
- c) The strength of the safety harness must not be less than that following from the ultimate loads for the flight- and ground-load conditions and for the emergency landing conditions according to T 561 b), taking into account the geometry of the harness and seat arrangement. (See AMC T 785 c).)
- d) Each safety harness must be attached so that the wearer is safely retained in the initial sitting position under flight and emergency landing accelerations. (See AMC T 785 d).)

**T 786 Protection from injury**

Rigid structural members, or rigidly mounted items of equipment, must be padded where necessary to protect the occupant(s) from injury during minor crash conditions.

**T 787 Baggage compartment**

- a) Each baggage compartment must be designed for its placarded maximum weight of contents and for the critical load distributions at the appropriate maximum load factors corresponding to the flight- and ground-load conditions of this Section.
- b) Means must be provided to protect occupants from injuries by movement of the contents of the baggage compartments [when subjected to ultimate inertia forces corresponding to the accelerations prescribed] in T 561 b).

**T 807 Emergency exit**

- a) The cockpit must be so designed as to provide occupants with unimpeded and rapid escape in an emergency.
- b) Where the cockpit is enclosed, the opening system must be designed for simple and easy operation. It must function rapidly and be designed so that it can be operated by each occupant strapped in his/her seat and also from outside the cockpit.

**T 831 Ventilation**

- a) When there is an enclosed cockpit it must be designed so as to afford suitable ventilation under normal flying conditions.
- b) Carbon monoxide concentration must not exceed one part per 20,000 parts air.

## Sub-Section E Powerplant

### General

#### T 901 Installation

- a) Powerplant installation includes the engine, propeller and each component that:
  - 1) is necessary for propulsion; or
  - 2) affects the safety of the propulsion unit between normal inspections and overhauls; or,
  - 3) affects the control of the propulsion unit.
- b) The powerplant must be constructed, arranged and installed to:
  - 1) ensure safe operation between normal inspection and overhaul; and
  - 2) be accessible for necessary inspections and maintenance.
- c) Electrical continuity must be provided to prevent the existence of differences of potential between components of the powerplant, including fuel tanks and other parts of the gyroplane which are electrically conductive.

#### T 903 Compatibility (See AMC T 903).

The applicant must show that each combination of engine and propeller in a gyroplane, for which a Permit to Fly is sought, is compatible with the gyroplane, functions in a satisfactory manner and can be operated safely within any limitations established under T 1505 and T 1521.

#### T 917 Rotor spin-up and brake systems

- a) If a rotor spin-up or brake system is installed, it must be designed to prevent:
  - 1) it remaining engaged on take off
  - 2) it becoming engaged in flight.
- b) Limitations on the use of any rotor spin-up or brake systems must be specified.

#### T 923 Flight endurance test (See AMC T 923).

- a) It shall be confirmed by flight tests that the proposed powerplant and rotor system operating limitations are compatible with the satisfactory functioning of the system, over the proposed range of operating conditions and flight envelope.
- b) The applicant shall conduct a 25 hour flight endurance test on a gyroplane of the type for which a Permit to Fly is sought. The gyroplane must not exhibit any significant problems or failures during the endurance test. This endurance test must be conducted to a flight schedule, which is representative of operational use and agreed in advance with the [CAA.]
- c) For new designs of rotor system the applicant shall conduct an endurance test on a suitable test vehicle, to an agreed test schedule. (See AMC T 923 c.)

#### T 925 Propeller clearance

If an unshrouded propeller is installed, propeller clearances at maximum weight, with the most adverse c.g., with the propeller in the most adverse pitch position and taking account of likely airframe flexibility, must not be less than the following:

- a) **Ground clearance.** There must be a clearance of at least 180 mm (for gyroplanes with a pusher propeller and a nose wheel), or 230 mm (for gyroplanes with a tractor propeller and a tail wheel) between the propeller and the ground, with the landing gear statically deflected and in the level normal take off or taxiing attitude, whichever is most critical. In addition, there must be positive clearance between the propeller and the ground in the level take off attitude, with:
- 1) the critical tyre completely deflated and the corresponding landing gear strut statically deflected; and
  - 2) the critical landing gear strut bottomed and the corresponding tyre statically deflected.
- b) **Clearance from other parts of the gyroplane.** There must be positive clearance between all rotating parts of the propeller and spinner and other parts of the gyroplane under all operating conditions. (See AMC T 925 b.)
- c) **Clearance from occupant(s).** There must be adequate clearance between the occupant(s) and the propeller(s) so that it is not possible for the occupant(s), when seated and strapped in, to contact the propeller(s) inadvertently. It must be possible for either occupant to enter and leave the gyroplane on the ground without passing dangerously close to the propeller disc. (See AMC T 925 c.)

## Fuel System

### T 951 General

- a) Each fuel system must be constructed and arranged to ensure a flow of fuel at a rate and pressure established for proper engine functioning under any normal operating condition.
- b) Each fuel system must be arranged so that no fuel pump can draw fuel from more than one tank at a time. Gravity feed systems may not supply fuel to the engine from more than one tank at a time, unless the air spaces are interconnected in a manner to ensure that all interconnected tanks feed equally.
- c) The fuel system must be arranged to minimise the occurrence of vapour locks and to prevent introducing air into the system.

### T 955 Fuel flow (See AMC T 955).

- a) **Gravity systems.** The fuel flow rate for each gravity system (main and reserved supply) must be at least 150% of the maximum fuel consumption of the engine.
- b) **Pump systems.** The fuel flow rate for each pump system (main and reserve supply) must be at least 125% of the maximum fuel consumption of the engine.

### T 959 Unusable fuel

The unusable fuel quantity for each tank must be established as not less than that quantity at which the first evidence of malfunctioning occurs under the most adverse fuel-feed conditions occurring during take off, climb, approach and landing involving that tank. It shall not be greater than 5% of the tank's capacity.

### T 963 Fuel tanks: General

- a) Each fuel tank must be able to withstand without failure, inertia, fluid and structural loads to which it may be subjected in normal operation.

- b) Where surging of fuel within the tank could cause significant changes in the centre of gravity of the gyroplane, means must be provided to reduce the surging to within acceptable limits.

**T 965 Fuel tank test**

Each fuel tank must be able to withstand a pressure of 0.1 bar (1½ psi) without failure or leakage.

**T 967 Fuel tank installation**

- a) Each fuel tank must be supported so that the loads resulting from the weight of the fuel are not concentrated. In addition:
- 1) There must be pads, if necessary, to prevent chafing between each tank and its supports; and
  - 2) Materials employed for supporting the tank or padding the supporting members must be non-absorbent or treated to prevent the absorption of fuel.
- b) Each compartment containing a fuel tank must be ventilated and drained to prevent accumulation of flammable fluids and vapours. Each compartment adjacent to a tank must be treated in a similar manner.
- c) No fuel tank may be located where an engine fire could impinge on it. (See AMC T 967 c.)
- d) Structural damage which may result from a heavy landing in excess of the ultimate capability of the landing gear, but within the emergency landing conditions of T 561, must not result in rupture of the fuel tank or fuel lines.

**T 971 Fuel tank sump**

- a) Each fuel tank, if permanently installed, must have a drainable sump which is effective in all normal ground and flight attitudes and with a capacity of 0.10% of the tank capacity, or 120 ml., whichever is the greater. Alternatively:
- 1) A fuel system sediment bowl or chamber that is accessible for drainage and has a capacity of 25 ml. must be fitted, and T 951 (continued)
  - 2) Each fuel tank outlet must be located so that, in the normal ground attitude, water will drain from all parts of the tank to the sediment bowl or chamber.
  - 3) [Each fuel tank outlet must be designed and located so that no part of the contents of the sump can enter the fuel feed line to the engine.]
- b) The drainage system must be readily accessible and easy to drain.
- c) Each fuel system drain must have manual or automatic means for positive locking in the closed position.

**T 973 Fuel tank filler connection**

Fuel tank filler connections must be located outside the cockpit. Spilled fuel must be prevented from entering the fuel tank compartment or any part of the gyroplane other than the tank itself.

**T 975 Fuel tank vents**

Each fuel tank must be vented from the top of the tank. In addition:

- a) Each vent outlet must be located and constructed in a manner that minimises the possibility of its being obstructed by ice or other foreign matter;

- b) Each vent must be constructed to prevent siphoning of fuel during normal operation, nor should it create a partial vacuum;
- c) Each vent must discharge clear of the gyroplane;
- d) Each vent must discharge away from ignition or exhaust components.

**T 977 Fuel filter and strainer**

- a) There must be [means to protect the engine from the likelihood of stoppage resulting from blockage of the fuel supply and from damage caused by debris in the fuel supply.
- b) There must be a strainer at the outlet to each tank. This strainer must have at least 6 meshes per cm. (15 meshes per inch). And must be of such proportions that blockage of the fuel supply by objects entering the tank will be extremely unlikely.]
- c) Each filter and each strainer must be easily accessible for drainage or cleaning.
- d) [Non-metallic filter elements must be shown to be compatible with the type of fuel specified by the manufacturer. (See AMC T 977 d.)]

**T 993 Fuel system lines and fittings**

- a) Each fuel line must be installed and supported to prevent excessive vibration and to withstand loads due to fuel pressure and accelerated flight conditions. (See AMC T 993 a.)
- b) Each fuel line connected to components, between which relative motion could exist, must have provisions for flexibility.
- c) Each flexible hose must be shown to be suitable for the particular application.
- d) Each fuel line and fitting in any area subject to engine fire conditions must be at least fire resistant.
- e) Leakage from any fuel line or connection must not impinge on hot surfaces or equipment which could cause a fire, nor fall directly onto any occupant.
- f) Fuel line runs must be kept apart from electrical cables.

**T 995 Fuel valves and controls**

- a) There must be a means to allow the pilot to shut off the fuel to the engine rapidly in flight. This means must be at a location where an engine fire could not impinge on it.
- b) The portion of the line between the fuel cock and the carburettor must be as short as possible.
- c) Each fuel cock must be at least fire resistant and must have either positive stops or effective detents in the 'on' and 'off' positions.

## **Oil System**

**T 1011 General**

- a) If an engine is provided with an oil system, it must be capable of supplying the engine with an appropriate quantity of oil at a temperature not exceeding the maximum established as safe for continuous operation.
- b) Each oil system must have a usable capacity adequate for the endurance of the gyroplane.

**T 1013 Oil tanks**

- a) Each oil tank must be installed to:
  - 1) meet the requirements of T 967 a), b) and d); and
  - 2) withstand any vibration, inertia and fluid loads expected in normal operation. Compliance with this requirement may be shown by satisfactory completion of the endurance test of T 923.
- b) The oil level must be easy to check without having to remove any cowling parts (with the exception of oil tank access covers) or to use any tools.
- c) If the oil tank is installed in the engine compartment, it must be made of fireproof material.

**T 1015 Oil tank test**

Each oil tank must be able to withstand a pressure of 0.33 bar (5 psi) without failure or leakage.

**T 1017 Oil lines and fittings**

- a) Oil lines must comply with T 993 and must accommodate a flow of oil at a rate and pressure adequate for proper engine functioning, under any normal operating conditions.
- b) Each oil line and fitting must be made of fire resistant material.
- c) Breather lines must be arranged so that:
  - 1) condensed water vapour or oil that might freeze and obstruct the line cannot accumulate at any point.
  - 2) the breather discharge will not constitute a fire hazard if foaming occurs, or cause emitted oil to strike the occupant(s) or the pilot's windshields;
  - 3) the breather does not discharge into the engine air induction system.

**Cooling****T 1041 General**

The powerplant cooling provisions must be able to maintain the temperatures of powerplant components and engine fluids within the temperature limit specified by the engine constructor, or as have been determined to be necessary by the gyroplane constructor, during all likely operating conditions.

**Induction System****T 1091 Air induction** (See AMC T 1091).

The air induction system for the engine must supply the air required by the engine under all likely operating conditions.

**Exhaust System****T 1121 General**

- a) The exhaust system must ensure safe disposal of exhaust gases without fire hazard or carbon monoxide contamination in the cockpit.

- b) Each exhaust system component must be separated by fireproof shields from adjacent flammable parts of the gyroplane.
- c) No exhaust gases may discharge dangerously near any oil- or fuel-system drain.
- d) Each exhaust system component must be ventilated to prevent points of excessively high temperature.

**T 1125 Exhaust manifold**

- a) The exhaust system must be fireproof and must have means to prevent failure due to expansion by operating temperature.
- b) The exhaust and silencing system must be supported to withstand the vibration and inertia loads to which it may be subjected in normal operation.
- c) If the design of the exhaust system is such that, after a failure in the exhaust system, it can interfere with the propeller, additional restraint must be provided to ensure a degree of redundancy in the exhaust mounting.
- d) Parts of the exhaust system connected to components between which relative motion could exist must have means for flexibility.

## **Powerplant Controls and Accessories**

**T 1141 General**

The portion of each powerplant control located in an engine compartment that is required to be operated in the event of fire must be at least fire resistant.

**T 1145 Ignition switches**

- a) A switch must be provided to enable each ignition circuit to be rendered inoperative. (See AMC T 1145 a.)
- b) Each ignition circuit must be independently switched, and must not require the operation of any other switch for it to be made operative.
- c) Ignition switches must be arranged and designed to prevent inadvertent operation.
- d) The ignition switch must not be used as the master switch for other circuits.

**T 1149 Propeller speed**

Propeller speed must be limited to, and propeller pitch must be fixed at, values that ensure safe operation under normal operating conditions.

During take off and climb at the recommended best-rate-of-climb speed, the propeller must limit the engine rotational speed at full throttle to a value not greater than the maximum allowable rotational speed.

**T 1165 Engine ignition systems**

Each battery ignition system must be supplemented by a generator that is automatically available as an alternative source of electrical energy to allow continued engine operation if any battery becomes depleted.

**T 1193 Cowling and nacelle**

When an engine installation is cowled:

- a) Each cowling must be constructed and supported so that it can resist any vibration, inertia and air loads to which it may be subjected in operation.

- b) There must be a means for rapid and complete drainage of each part of the cowling in the normal ground and flight attitudes. No drain may discharge where it will cause a fire hazard.
- c) The cowling must be at least fire resistant.
- d) Each part behind an opening in the engine compartment cowling must be at least fire resistant for a distance of at least 600 mm aft of the opening.
- e) Each part of the cowling subjected to high temperatures due to its nearness to exhaust system ports or exhaust gas impingement, must be fireproof.

## Sub-Section F Equipment

### General

#### T 1301 **Function and installation**

- a) Each item of required equipment must:
  - 1) be of a kind and design appropriate to its intended function;
  - 2) be installed according to limitations specified for that equipment; and
  - 3) function properly when installed. (See AMC T 1301 a) iii).)
- b) Instruments and other equipment must not in themselves, or by their effect upon the gyroplane, constitute a hazard to safe operation.

#### T 1303 **Flight and navigation instruments**

The following equipment must be installed:

- a) An air speed indicator;
- b) An altimeter;
- c) A magnetic compass;
- d) [A slip indicator.]

#### T 1305 **Powerplant instruments**

The following are the required powerplant instruments:

- a) Such pressure, temperature and rpm indications as are necessary to operate the engine within its limitations;
- b) A fuel quantity indicator for each fuel tank, visible by each pilot when strapped in;
- c) A quantity indicator for each oil tank, e.g. dipstick.

#### T 1307 **Miscellaneous equipment** (See AMC T 1307).

A safety harness must be available to each occupant, capable of restraining the wearer against the forces resulting from the accelerations prescribed for emergency landing conditions in T 561.

### Instruments: Installation

#### T 1321 **Arrangement and visibility**

Flight and navigation instruments, and powerplant instruments required by T 1305, must be clearly arranged and plainly visible to each pilot.

#### T 1325 **Pitot and static pressure systems**

- a) Each instrument provided with static pressure case connections must be so vented that the influence of moisture or other foreign matter, speed and the opening and closing of windows, will not significantly affect the accuracy of the instruments.
- b) The design and installation of pitot and static pressure systems must be such that:
  - 1) positive drainage of moisture is provided;
  - 2) chafing of the tubing, and excessive distortion or restriction at bends in the tubing, is avoided; and

- 3) the materials used are durable, suitable for the purpose intended, and protected against corrosion.

#### T 1337 **Powerplant instruments**

- a) Instruments and instrument lines.
  - 1) Each powerplant instrument line carrying flammable fluids under pressure must meet the requirements of T 993.
  - 2) Each line carrying flammable fluids under pressure must have restricting orifices, or other safety devices, at the source of pressure to prevent the escape of excessive fluid if the line fails.
- b) Each exposed sight gauge used as a liquid quantity indicator must be protected against damage. The low-level indication range of the indicator must be plainly visible to the pilot.

### **Electrical Systems and Equipment**

#### T 1353 **Storage battery design and installation**

- a) Each storage battery must be designed and installed as prescribed in this paragraph.
- b) No explosive or toxic gases emitted by any battery in normal operation, or as the result of any probable malfunction in the charging system or battery installation, may accumulate in hazardous quantities within the gyroplane.
- c) No corrosive fluids or gases that may escape from the battery may damage surrounding structures or adjacent essential equipment.

#### T 1365 **Electric cables and equipment**

- a) Each electric connecting cable must be of adequate capacity and correctly routed, attached and connected so as to minimise the probability of short circuits and fire hazards.
- b) Overload protection must be provided for each electrical circuit. No protective device may protect more than one circuit essential to flight safety.

#### T 1385 **External lights**

If external lights are installed they must meet the requirements of the Air Navigation Order (ANO).

### **Miscellaneous Equipment**

#### T 1431 **Airborne radio and radio navigation equipment**

Each item of airborne radio equipment provided must comply with the following:

- a) The equipment and its aerials may neither in themselves, nor by their mode of operation or by their effect upon the operating characteristics of the gyroplane and its equipment, constitute a hazard to safe operation.
- b) The equipment and its control and monitoring devices must be arranged so as to be easily controllable. Their installation must be such that they are sufficiently ventilated to prevent overheating.
- c) All fixed installation airborne radio equipment must be approved by the [CAA.]

## Sub-Section G Operating Limitations and Information

### T 1501 **General**

- a) Each operating limitation specified in T 1521 and other limitations and information necessary for safe operation must be established.
- b) The operating limitations and other information necessary for safe operation must be made available to the pilot, as prescribed in T 1541 to T 1587.

### T 1505 **Air speed limitations**

- a) All flight speeds must be stated in terms of indicated airspeed (IAS).
- b) The never-exceed speed,  $V_{NE}$ , must not exceed 0.90 times the maximum speed demonstrated in flight tests ( $V_{DF}$ ).

### T 1519 **Weight and c.g.**

- a) The maximum weight determined under T 25 must be established as an operating limitation.
- b) The c.g. limitations determined under T 23 must be established as operating limitations.
- c) The empty weight and the corresponding c.g. positions must be determined in accordance with T 29.

### T 1521 **Powerplant and propeller limitations**

The powerplant and propeller limitations must be established.

### T 1529 **Maintenance manual** (See AMC T 1529).

A maintenance manual containing the information essential for proper maintenance must be provided.

## Markings and Placards

### T 1541 **General**

- a) The gyroplane must be marked with:
  - 1) the markings and placards specified in T 1542 to T 1557, and
  - 2) any additional information, instrument markings, and placards required for the safe operation of the gyroplane.
- b) Each marking and placard prescribed in sub-paragraph a) of this paragraph:
  - 1) must be displayed in a conspicuous place; and
  - 2) may not be easily erased, disfigured or obscured.
- c) The units of measurement used to indicate air speed on placards must be the same as those used on the indicator.

### T 1542 **Operating limitations placards and instrument markings** (See AMC T 1542).

Limitations essential to the safe operation of the gyroplane must be plainly visible to the pilot. Where this cannot be achieved by instrument markings, a placard must be provided. Where these limitations are shown by instrument markings, each maximum and minimum safe operating limit must be marked by a red line.

**T 1547 Compass**

Unless the deviation is less than 5 degrees on all headings, the deviation values for magnetic headings in not more than 30 degree increments must be placarded near the compass.

**T 1553 Fuel quantity indicator**

Each fuel quantity indicator must be calibrated to read 'zero' during level flight, when the quantity of fuel remaining in the tank is equal to the unusable quantity determined in accordance with T 959.

**T 1555 Control markings**

- a) Each cockpit control, other than primary flight controls, must be clearly marked as to its function and method of operation.
- b) Emergency controls must be coloured red.
- c) For powerplant fuel controls:
  - 1) each fuel tank selector control must be marked to indicate the position corresponding to each tank;
  - 2) if safe operation requires the use of any tanks in a specific sequence, that sequence must be marked on or near the selector for those tanks.

**T 1557 Miscellaneous markings and placards**

- a) **Baggage compartment.** Each baggage compartment must have a placard stating the loading limitations.
- b) **Fuel- and oil-filler openings.** The following apply:
  - 1) Fuel-filler openings must be marked at or near the filler cover with the minimum fuel grade and if applicable the fuel/oil ratio.
  - 2) Oil-filler openings must be marked at or near the filler cover:
    - i) with the grade; and
    - ii) if the oil is detergent or non-detergent.
- c) **Fuel tanks.** The usable fuel capacity of each tank must be marked either at the selector or on the gauge (when provided), or on the tank if this is translucent and visible to the pilot in flight.
- d) **Loading.** If removable ballast is used, the place for carrying ballast must have a placard stating instructions for the proper placement and securing of the removable ballast under each loading condition for which each removable ballast is necessary. The following data must be placarded in each gyroplane so that they are plainly visible to the pilot:
  - 1) Empty weight;
  - 2) Maximum weight;
  - 3) Maximum and minimum cockpit load;
  - 4) Cockpit load conditions for twoseater flown solo.
- e) **Aerobatic manoeuvres.** A placard prohibiting aerobatic manoeuvres must be plainly visible to the pilot.

- f) **Occupant warning.** A placard showing the standard occupant warning must be plainly visible to the pilot and if applicable the passenger, as follows:

**Occupant Warning**  
**This gyroplane has not been certificated to**  
**an international requirement**

- g) **Reduction in normal g.** A placard, stating that manoeuvres involving a deliberate reduction in normal g shall be avoided, must be positioned so that it is in full view of the pilot(s).

### **Pilot's Handbook**

#### **T 1581 General**

- a) A Pilot's Handbook must be furnished with each gyroplane. Each Pilot Handbook must at least contain the information specified in T 1583 to T 1587.
- b) Additional information: Any information not specified in T 1583 to T 1587 which is required for safe operation, or because of unusual design, operating or handling characteristics, must be furnished. (See AMC T 1581 b.)
- c) Units: The units of measurement used must be the same as those used on the indicators.

#### **T 1583 Operating limitations**

- a) The air speed limit  $V_{NE}$  together with information on the significance of this limit must be furnished.
- b) **Weights.** The following limitations must be furnished:
- 1) The maximum weight;
  - 2) The empty weight and the position of the empty weight c.g.;
  - 3) The composition of the useful load.
- c) **Loading.** The following limitations must be furnished:
- 1) The weight and c.g. limits required by T 23 and T 25, together with the items included in the empty weight in T 29;
  - 2) Information enabling the pilot of the gyroplane to determine whether the c.g., and the distribution of the useful load in the different loading combinations, are still within the allowable range;
  - 3) Information for the proper placement of removable ballast under each loading condition for which removable ballast is necessary.
- d) **Manoeuvres.** Authorised manoeuvres established in accordance with T 2.
- e) **Kinds of operation.** The kind of operation, i.e. day VFR, in which the gyroplane may be used, must be stated. The minimum equipment required for operation must be listed.
- f) The maximum wind limitations must be furnished.
- g) The powerplant limitations must be furnished.
- h) The maximum altitude for operation must be furnished.

**T 1585 Operating procedures**

For all gyroplanes, information necessary for safe operation and for the achievement of the scheduled performance must be furnished including:

- a) The procedure(s) and speeds for making a take off in accordance with T 51 and the subsequent climb;
- b) The procedure(s) for abandoning a take off due to engine failure or other cause;
- c) The best rate of climb speed, which must not be less than that selected to show compliance with T 65;
- d) The airspeed associated with the minimum rate of descent determined in accordance with T 71;
- e) The minimum speed for level flight established in accordance with T 73;
- f) The procedure and speed for making a normal approach and landing and, where different, the procedure and speed for making an approach and landing with the engine inoperative, in accordance with T 75;
- g) Use of any carburettor heat control, (if fitted).

**T 1587 Performance Information**

The following information must be furnished:

- a) The take off distance determined in accordance with T 51;
- b) The best climb speed;
- c) The speed for minimum rate of descent;
- d) The landing distance determined in accordance with T 75;
- e) Any limiting height speed envelope determined in accordance with T 79.

## Sub-Section J Propellers

### Design and Construction

T 1917 **Materials** (See AMC T 1917).

The suitability and durability of materials used in the propeller must:

- a) be established on the basis of experience or tests; and
- b) conform to specifications that ensure that they have the strength and other properties assumed in the design data.

T 1919 **Durability**

Propeller design and construction must minimise the possibility of the occurrence of an unsafe condition of the propeller between overhauls.

T 1923 **Pitch Control**

If it is intended to fit a propeller which is adjustable in flight, the CAA must be consulted.

## **Part 2      Acceptable Means of Compliance and Interpretative Material (AMC)**

### **Sub-Section A    General**

#### **AMC T 2 c) (Interpretative Material)**

Gyroplanes which have the facility to make limited pitch adjustments to the rotor blade for the purpose of blade tracking etc. will be considered to have rotor blades of fixed pitch for the purpose of BCAR Section T.

#### **AMC T 2 d) (Interpretative Material)**

E.g. if a horizontal stabiliser incorporating moveable control surfaces is fitted, the gyroplane will not be considered to be of orthodox design.

#### **AMC T 2 g) (Interpretative Material)**

Non-aerobatic operation is intended to include:

- 1) any manoeuvre necessary for normal flying.
- 2) steep turns in which the angle of bank does not exceed 60 degrees.
- 3) vertical descents which do not terminate at ground level.

## Sub-Section B Flight

### AMC T 21 (Interpretative Material)

- 1) Instrumentation for flight test.
  - a) For test purposes, the gyroplane should be equipped with suitable instruments for conducting the required measurements and observations in a simple manner. If reliable results cannot be obtained otherwise, the CAA may request the installation of special test equipment. In particular, it is recommended that a means be provided of recording the flight instruments, the stick position and the aircraft attitude; e.g. a data recorder or fixed video camera. Provision should also be made to record the pilot's comments as he conducts the flight tests.
  - b) At an early stage in the programme the accuracy of the instruments and their calibration curves should be determined, and particular attention should be paid to the position error of the airspeed indication system.
- 2) Prior to flight test, ground tests should be conducted to measure the following:
  - a) Friction of controls;
  - b) Control-cable tension of closed control circuits; and
  - c) Maximum deflection of control surfaces and their respective controls.
- 3) Functioning tests: Before starting the flight tests, all ground functioning tests should be carried out.
- 4) With reference to T 21 b), if, for example, a gyroplane is equipped with a nacelle and it is intended that the gyroplane may be operated with the nacelle removed, then the gyroplane must be shown to comply with the requirements both with and without the nacelle installed.

### AMC T 23 (Interpretative Material)

For this class of gyroplane the position of the centre of gravity is normally determined by means of a 'Hang-Check'. The gyroplane is suspended from the rotor attachment point (teeter bolt), and the position of the centre of gravity is determined in terms of the angle, at some suitable reference point, at which the gyroplane hangs.

### AMC T 51 (Interpretative Material)

- a) The distance presented in the Pilot's Handbook should be the mean of six demonstrations.
- b) When a rotor spin-up device is installed, the take off distance should be determined with its use and, if not prohibited in the Pilot's Handbook, without its use, at the most adverse permitted windspeed.

### AMC T 143 a) (Interpretative Material)

In order to show that the gyroplane is safely controllable and manoeuvrable and has sufficient margin of control movement and blade freedom, it will be necessary to show that there is a margin beyond the gyroplane's specified limitations within which the gyroplane is safely controllable and manoeuvrable.

The size of the margin will depend on the [handling characteristics of the gyroplane, and must be agreed with the CAA.]

The gyroplane's  $V_{NE}$  will normally be dictated by the need to have a positive teeter margin up to  $V_{NE} + 15\%$ .

**AMC T 145 c) (Interpretative Material)**

- a) The control force required over the range of control movement should neither vary excessively nor exhibit any undesirable discontinuities.
- b) From trimmed initial conditions, the control forces required for executing normal operational manoeuvres should not exceed:
  - 1) a stick force of 27 N, and
  - 2) a pedal force of 90 N.

**AMC T 181 (Interpretative Material)**

Longitudinal, lateral or directional oscillations with controls fixed or free and following a single disturbance in smooth air, should at least meet the following criteria:

- a) Any oscillation having a period of less than 5 seconds should damp to one half amplitude in not more than one cycle. There should be no tendency for undamped small amplitude oscillations to persist.
- b) Any oscillation having a period between 5 and 10 seconds should damp to one half amplitude in not more than two cycles. There should be no tendency for undamped small oscillations to persist.
- c) Any oscillation having a period between 10 and 20 seconds should be damped, and in no circumstances should an oscillation having a period greater than 20 seconds achieve more than double amplitude in less than 20 seconds.

The disturbance should be introduced, with the gyroplane in trimmed steady flight and with the other primary controls fixed, by moving one primary flight control sharply to an out-of-trim position and immediately returning it to its original trim position, at which it is then held fixed. For those gyroplanes which do not have a variable trim control the method of exciting the oscillation is the same but the control must be returned to the datum position and held fixed in that position.

**AMC T 235 a) (Interpretative Material)**

The gyroplane should at least be suitable for operation from surfaces with short grass.

**AMC T 241 (Interpretative Material)**

Compliance with this requirement may be shown by demonstrating that the gyroplane has no dangerous tendency to oscillate during rotor spin-up, take off, landing and taxiing. A range should be tested to represent the variations in the way these conditions may be conducted in service.

## Sub-Section C Structure

### AMC T 307 a) (Interpretative Material)

- 1) Substantiating load tests made in accordance with T 307 should normally be taken to ultimate load.
- 2) The results obtained from strength tests should be so corrected for departures from the mechanical properties and dimensions assumed in the design calculations as to establish that the possibility of any structure having a strength less than the design value, owing to material and dimensional variation, is extremely remote.

### AMC T 337 (Interpretative Material)

The structure of the gyroplane must be shown to be able to withstand these loads. It is not necessary to show that the aircraft is controllable, or that the fuel or other aircraft systems work at these extremes.

### AMC T 405 (Interpretative Material)

Hand and foot loads, assumed for design, should not be less than the following:

- 1) Hand loads on small hand-wheels, cranks etc., applied by finger or wrist force  $P = 150 \text{ N}$ .
- 2) Hand loads on levers and hand-wheels applied by the force of an unsupported arm without making use of body weight:  $P = 350 \text{ N}$ .
- 3) Hand loads on levers and hand-grips applied by the force of a supported arm or by making use of the body weight:  $P = 600 \text{ N}$ .
- 4) Foot loads applied by the pilot when sitting with his back supported (e.g. toe-brake operating loads):  $P = 750 \text{ N}$ .

### AMC T 473 (Interpretative Material)

- 1) Where the shock absorber characteristics are not essentially affected by the rate of compression, static tests may be used to establish compliance.
- 2) [In the absence of a more rational analysis, the energy to be absorbed horizontally by the nose gear, as required by Paragraph T 473 c), may be assumed to be 50% of the total vertical energy corresponding to the condition referred to in T 473 b) 2).]

### AMC T 547 c) (Interpretative Material)

Compliance may be shown by satisfactory completion of the endurance test of T 923.

### AMC T 549 c) (Interpretative Material)

Gyroscopic moments should be derived for angular velocities about the pitch and yaw axes, for the rotating parts of the powerplant (including the engine, gearbox and propeller).

### AMC T 561 d) (Interpretative Material)

The purpose of this requirement is to ensure that the engine and associated high mass items are adequately restrained in the event of a heavy landing. In order to show compliance with the requirement the inertial loads resulting from the deceleration of 15g must be diffused through the gyroplane structure in a realistic manner.

**[AMC T 597 (Interpretative Material)]**

Ballast includes (but is not limited to) removable ballast and will be considered as part of the equipment of the gyroplane and therefore subject to compliance with the requirements of Section T in general and T 561 c) and T 597 in particular.]

## Sub-Section D Design and Construction

### **AMC T 603 b) (Interpretative Material)**

If non-aerospace specifications are to be used they must be from a source acceptable to the [CAA.]

### **[AMC T 613 b) (Interpretative Material)]**

Material specifications should be those contained in documents accepted either specifically by the [CAA] or by having been prepared by an organisation or person which the [CAA] accepts has the necessary capabilities. In defining design properties, these material specification values should be modified and/or extended as necessary by the constructor to take account of manufacturing practices (for example, method of construction, forming, machining and subsequent heat treatment).

### **[AMC T 613 c) (Interpretative Material)]**

Hot Soak temperatures up to 54° C are considered to correspond to normal operating conditions.

### **AMC T 619 a) (Interpretative Material)**

Appropriate combinations of the special factors should include all those of the following appropriate to the part:

- 1) The casting factor derived in accordance with T 621;
- 2) The highest pertinent special factor prescribed in T 619 b), T 623, T 625, T 657, or T 693; and
- 3) The two-hinge factor prescribed in T 625 e).

### **[AMC T 619 b) (Interpretative Material)]**

For composite materials such as fibre reinforced plastics, an appropriate factor to allow for variability and environmental effects should be applied to ultimate loads. This should be at least 1.5 where the strength is to be substantiated by test at ambient temperature, but may be reduced to 1.2 for conditioned items (i.e. subjected to environmental exposure) that are tested at the maximum temperature likely to be achieved in normal operation.]

### **AMC T 626 (Interpretative Material)**

Nominal cable strength is defined by the minimum breaking load for the particular type of cable specified in the British Standard, or other acceptable recognised specifications to which the cable is made. Reference to the relevant specification must be made in the design documentation. These criteria apply to steel cables. Design assumptions for cables of other materials should be agreed with the [CAA.]

### **AMC T 661 (Interpretative Material)**

It will be necessary to conduct ground and flight trials and to record, by some suitable means, the clearance between the rotor blades and hub and the airframe, teeter stops and propeller, to show compliance with this requirement. The range of conditions covered must be adequate to ensure that the most severe conditions that can be expected to occur in flight or on the ground are covered.

**AMC T 685 b) (Interpretative Material)**

For the purpose of this requirement a cockpit can be assumed to be an enclosed or semi enclosed nacelle.

**AMC T 689 b) (Interpretative Material)**

The inside diameter of the pulley groove should not be less than 300 times the diameter of each elemental strand.

**AMC T 773 a) (Interpretative Material)**

In order to show compliance with this requirement it will be necessary to assess the effects of any 'misting up' of the windscreen.

**AMC T 773 b) (Interpretative Material)**

Compliance with T 773 b) may be provided by any canopy having a suitable opening.

**AMC T 777 b) (Interpretative Material)**

When assessing whether the cockpit controls comply with T 777 b) allowance must be made for bulky winter clothing.

**[AMC T 785 c) and d) (Interpretative Material)**

These requirements should be read in conjunction with Paragraph T 1307.]

## Sub-Section E Powerplant

### **AMC T 903 (Interpretative Material)**

Evidence of safe and satisfactory operation of the engine and propeller combination in the gyroplane, for a period of 25 hours flying without significant problems, is an acceptable means of demonstrating compliance.

Note that if significant changes are made to the engine, additional flying may be necessary to ensure that a complete period of 25 hours is achieved with the final standard of engine in combination with the proposed propeller.

A significant aspect of engine/propeller/airframe compatibility is the effect of gyroscopic forces. The 25 hour flight test should be representative of the most severe manoeuvres likely to be experienced during normal operation, including manoeuvres which generate high yaw rates.

### **AMC T 923 (Interpretative Material)**

The flight test schedule should be made up of a number of flights representative of normal use. These flights should cover the range of ground and flight conditions that the gyroplane is expected to experience in normal use. The applicant may count any development flight hours flown towards the 25 hours of endurance testing, provided the gyroplane is in the final configuration and the test flying was representative of the operational use.

These conditions should be flown over the permitted range of engine power and rotor rpm, all-up weight, c.g. position and altitude.

Where a rotor spin-up device and/or a rotor brake is to be fitted, the flight endurance tests should be carried out using these devices.

The gyroplane should be inspected carefully at regular intervals as the trial proceeds. Records should be kept of the results of these inspections and of the flying carried out. If any problems or failures occur, the [CAA] should be advised of the problem and the proposed solution. Depending on the severity of the problem, extra flying may be necessary to ensure that the proposed solution has accrued 25 hours without a recurrence of the problem.

### **AMC T 923 c) (Interpretative Material)**

The purpose of this endurance test is to gain some confidence that the rotor will not behave dangerously when flight tested.

The testing should also be used to confirm (as far as possible), that the behaviour of the rotor system is reasonably close to that assumed by the designer. This could be shown crudely by comparing predicted rotor rpm with that achieved on test.

A suitable test vehicle would be a 'boom trailer', i.e. similar to a gyroglider but fixed mechanically by a boom, to the towing vehicle to limit the achievable height.

### **AMC T 925 b) (Interpretative Material)**

This requirement is intended to take account of airframe flexure under all conditions likely to be encountered in flight or on the ground, including hard landings and taxiing over rough ground. In the absence of more rational information, it is recommended that there should be:

- 1) at least 25 mm radial clearance between the blade tips and other parts of the gyroplane[, plus any additional radial clearance necessary to prevent harmful

vibration, and at least 100 mm radial clearance from items capable of large deflections, when they are fully deflected to minimise the clearance.】

- 2) at least 13 mm longitudinal clearance between the propeller blades or cuffs and other parts of the gyroplane.

**AMC T 925 c) (Interpretative Material)**

This requirement is intended to prevent accidental injuries caused by the occupants inadvertently contacting the propeller in ground and flight conditions (including a heavy landing). It is not intended to prevent an occupant from deliberately contacting the propeller.

**AMC T 955 (Interpretative Material)**

Note that the fuel consumption quoted by the manufacturer may be for relatively low throttle openings, not the high power case applicable to this requirement.

**AMC T 967 c) (Interpretative Material)**

If the tank is mounted above, below or behind the engine or the exhaust, a fireproof shield must be placed between the fuel tank and the engine or exhaust. If the fuel tank is mounted above the engine or exhaust, there must be provision to catch and drain fuel leaks away from the engine and exhaust.

**AMC T 977 d) (Interpretative Material)**

Additives in many two-stroke engine oils can, under certain conditions, produce materials which will block paper filter elements with pore sizes of less than 10 microns. Such paper elements will not be considered compatible with two-stroke pre-mix fuel systems.

**AMC T 993 a) (Interpretative Material)**

Compliance with the requirements of this sub-paragraph may be shown by flight test.

**AMC T 1091 (Interpretative Material)**

Compliance with this requirement may be shown by satisfactory completion of the flight endurance test of T 923.

**AMC T 1145 a) (Interpretative Material)**

Magneto ignition switches should be rendered inoperative by grounding the appropriate circuit to earth.

## Sub-Section F Equipment

### AMC T 1301 a) 3) (Interpretative Material)

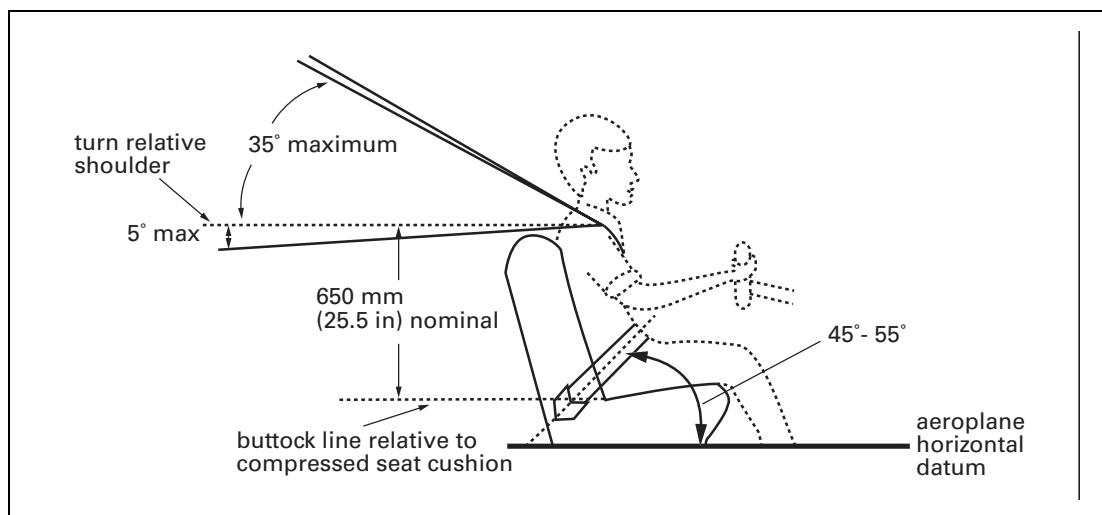
Each item of required equipment should function correctly when subjected to the most adverse likely operating conditions including extremes of temperature, rain and humidity.

### AMC T 1307 (Interpretative Material)

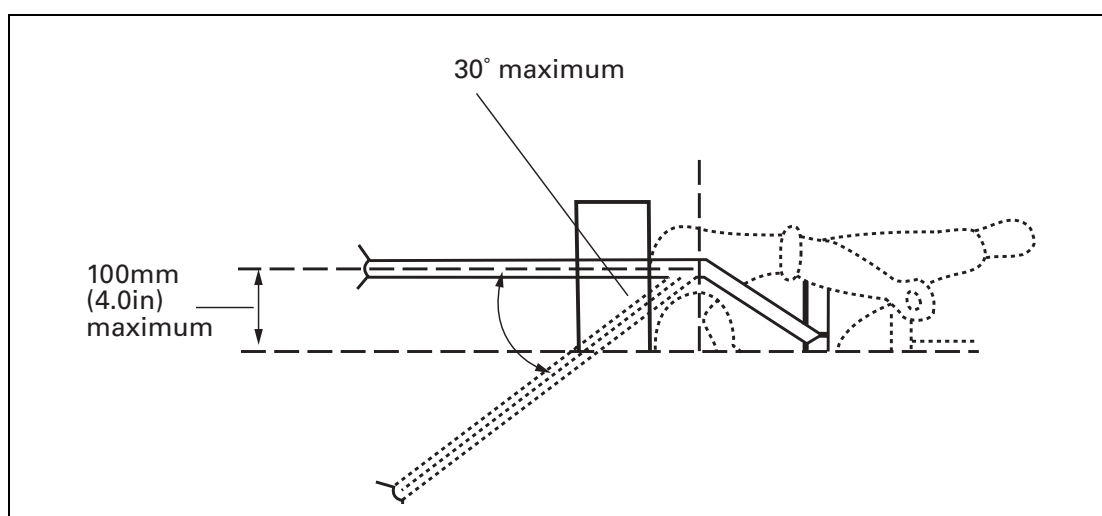
A four or five point harness must be fitted to comply with this requirement, unless a case can be made to show that upper torso restraint would increase the hazard to the occupant.

### Installation of Shoulder Harness

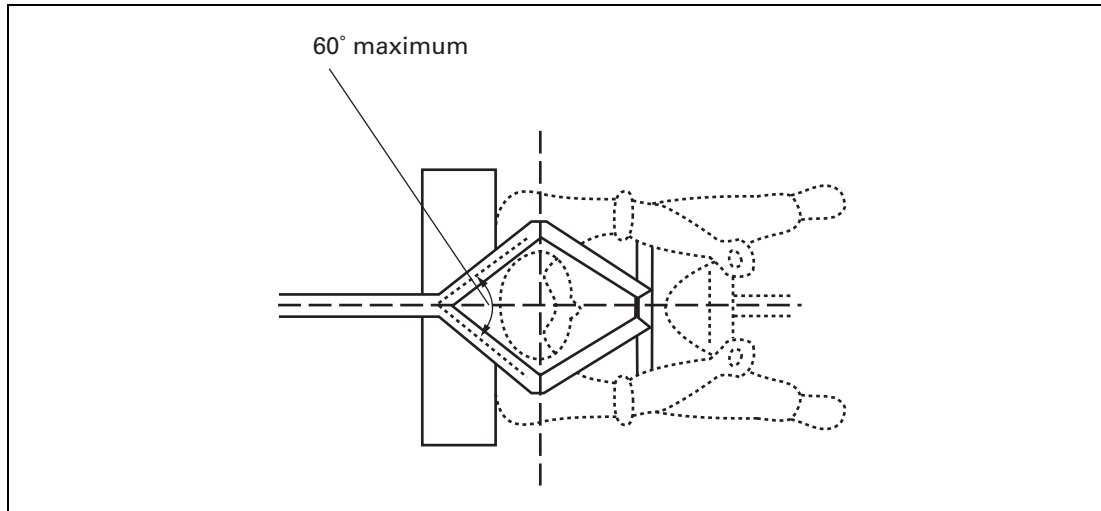
Figures 1, 2 and 3 show the recommended installation geometry for this type of restraint.



**Figure 1**



**Figure 2** Range of Angles of Shoulder Straps



**Figure 3**

- NOTES:** 1) Where there is more than 150 mm of webbing between the attachment point of the shoulder straps, and the top of the seat back, suitable means should be provided to limit sideways movement e.g. guide loops, to ensure adequate separation of shoulder straps to minimise injury or chafing of the wearer's neck.
- 2) Where the seat back is of adequate strength and such height that the harness geometry relative to the shoulder conforms with the above Figure (i.e. 650 mm), it is permissible to attach the shoulder straps to the seat back via guide loops to the gyroplane floor.

## Sub-Section G Operating Limitations and Information

### AMC T 1529 (Interpretative Material)

The maintenance manual should contain at least the following:

- a) Description of systems;
- b) Lubrication instructions setting forth the frequency and the lubricants and fluids which are to be used in the various systems;
- c) Pressures and electrical loads applicable to the various systems;
- d) Tolerances and adjustments necessary for proper functioning, including control surface travels and limits of rotor pitch angles relative to the hub;
- e) Method of determining c.g. position e.g. hang check;
- f) Methods of rotor tracking and maximum permissible values of play at hinge pins and control circuit backlash;
- g) Identification of primary and secondary structures;
- h) Frequency and extent of inspections necessary for proper maintenance;
- i) Special repair methods applicable to the gyroplane;
- j) Special inspection techniques and maintenance 'cautions';
- k) List of special tools;
- l) Rigging data necessary for proper operation;
- m) Statement of service life limitations (replacement or overhaul) of parts, components and accessories subject to such limitations;
- n) The materials necessary for small repairs;
- o) Care and cleaning recommendations;
- p) Instructions for rigging and de-rigging;
- q) Information on supporting points and measures to be taken to prevent damage during ground transportation;
- r) List of placards and markings and their locations.

Note that the inspection techniques should include procedures to check that the primary structure, controls and propeller are free from cracks, corrosion or visible damage.

### AMC T 1542 (Interpretative Material)

Limitations essential to the safe operation of the gyroplane should include:

- a) **Airspeed limitations.** The never-exceed speed  $V_{NE}$ .
- b) **Powerplant limitations.** Such pressure, temperature, rpm and other limitations as may have been determined under T 1521.
- c) **Reduction in normal g.** A placard, stating that manoeuvres involving a deliberate reduction in normal g shall be avoided, must be positioned so that it is in full view of the pilot(s).

**AMC T 1581 b) (Interpretative Material)**

- a) This should include advice on the hazards associated with low g manoeuvres. This advice should address which sorts of manoeuvre can lead to a reduction in normal g and how to avoid them.
- b) The Pilot's Handbook should also contain guidance material to advise the pilot that, in the event of a change in the vibration characteristics of the gyroplane, the primary structure, controls and propeller of the gyroplane should be inspected for signs of cracks, damage etc. in accordance with the procedures specified in the maintenance manual.
- c) Advice should be included on any conditions which can lead to engine stoppage at low fuel levels.

## **Sub-Section J Propellers**

### **AMC T 1917 (Interpretative Material)**

Propellers made from composite materials, or which incorporate provision for ground adjustment of pitch or which have novel features may be required to be subjected to a proof load test, in which case the loads to be applied and the method of application shall be agreed in advance with the CAA.